



索尔光伏

PVSOLVER

solar mounting solutions

Technical Data

SP-A-002 Rail Joiner

> **description**

a part that joins rails

> **ref no.**

SP-A-002

> **technical specs**

material specifications

aluminum alloy AL6005 (body)

stainless steel 316 / 304 (bolting hardwares)

dimensions

length = 150mm

width = 38mm

height = 33mm

applications

functions connect and joint 2 rails

tightening torque 15Nm

customizability upon request

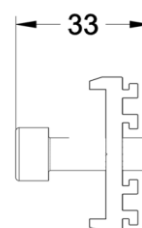
section property upon request

bolting hardwares

m8 x 25mm bolt with flat and spring washer 2 nos.

aluminum channel nut 2 nos.

application rail AL-003 and similar





索尔光伏

PVSOLVER

solar mounting solutions

Technical Data

SP-A-007 Rail Joiner

> **description**

a part that joins rails

> **ref no.**

SP-A-007

> **technical specs**

material specifications

aluminum alloy AL6005 (body)

stainless steel 316 / 304 (bolting hardwares)

dimensions

length = 150mm

width = 30mm

height = 33mm

applications

functions connect and joint 2 rails

tightening torque 15Nm

customizability upon request

section property upon request

bolting hardwares

m8 x 25mm bolt with flat and spring washer 2 nos.

aluminum channel nut 2 nos.

application rail AL-007, AL-051 and similar





索尔光伏

PVSOLVER

solar mounting solutions

Technical Data

SP-A-012 Rail Joiner

> **description**

a part that joins rails

> **ref no.**

SP-A-012

> **technical specs**

material specifications

aluminum alloy AL6005 (body)

stainless steel 316 / 304 (bolting hardwares)

dimensions

length = 170mm

width = 14mm

height = 10mm

applications

functions connect and joint 2 rails

tightening torque 15Nm

customizability upon request

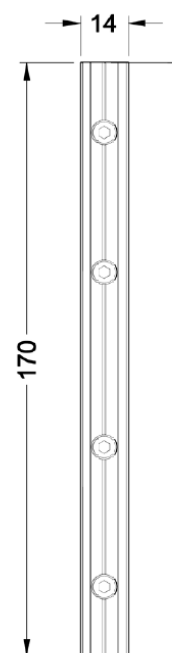
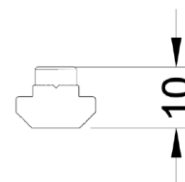
section property upon request

bolting hardwares

m8 x 25mm bolt with flat and spring washer 4 nos.

aluminum channel nut 4 nos.

application rail AL-033 and similar





索尔光伏

PVSOLVER

solar mounting solutions

Technical Data

SP-A-099 Rail Joiner

> **description**

a part that joins rails

> **ref no.**

SP-A-099

> **technical specs**

material specifications

aluminum alloy AL6005 (body)

stainless steel 316 / 304 (bolting hardwares)

dimensions

length = 200mm

width = 24mm

height = 31mm

applications

functions connect and joint 2 rails

tightening torque 15Nm

customizability upon request

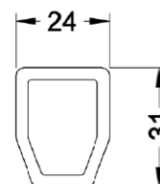
section property upon request

bolting hardwares

m8 x 25mm bolt with flat and spring washer 4 nos.

aluminum channel nut 4 nos.

application rail AL-010, AL-052 and similar





索尔光伏

PVSOLVER

solar mounting solutions

Technical Data

SP-A-039 Grounding Lug

> **description**

a part that secures earth cables for grounding

> **ref no.**

SP-A-039

> **technical specs**

material specifications

aluminum alloy Al6005 / 6061 (body)

stainless steel 316 / 304 (bolting hardwares)

dimensions

length = 44mm

width = 22mm

height = 36mm

applications

functions solar array grounding

tightening torque 15Nm

customizability upon request

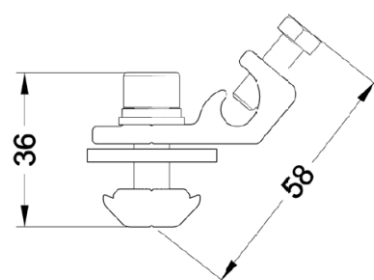
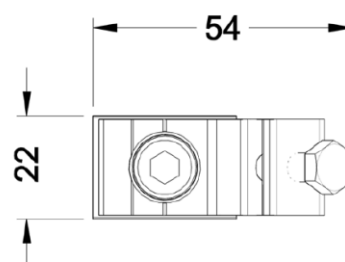
section property upon request

bolting hardwares

m8 x 35mm bolt with flat and spring washer 1 no

m8 x 25mm bolt 1 no.

aluminum channel nut 1 no.





索尔光伏

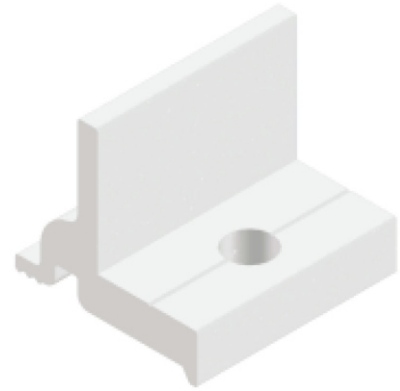
PVSOLVER

solar mounting solutions

Technical Data

SP-A-109 Rail Clip

- > **description**
a part that mounts rails on seam clamps or base rails
- > **ref no.**
SP-A-109
- > **technical specs**

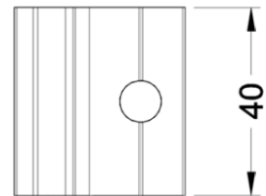
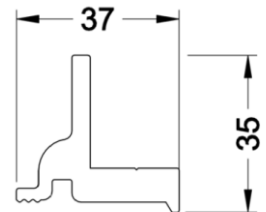


material specifications

aluminum alloy Al6005 / 6061 (body)
stainless steel 316 / 304 (bolting hardwares)

dimensions

length = 40mm
width = 37mm
height = 36mm

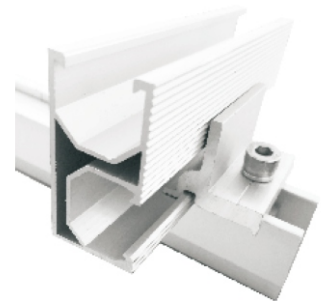


applications

functions	secure rails
tightening torque	15Nm
customizability	upon request
section property	upon request

bolting hardwares

m8 x 35mm bolt with flat and spring washer	1 no
aluminum channel nut	1 no.





索尔光伏

PVSOLVER

solar mounting solutions

Technical Data

SP-S-032 Weeb Waher

> **description**

a part that mounts rails on seam clamps or base rails

> **ref no.**

SP-S-032

> **technical specs**

material specfications

stainless steel 316 / 304

dimensions

length = 32mm

width = 30mm

thickness = xx mm

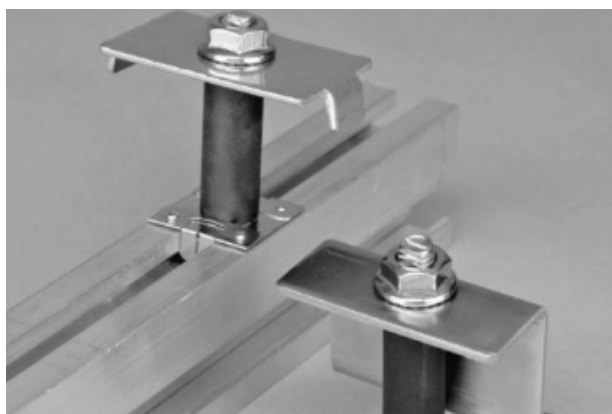
applications

functions ensure electrical connectivity between solar modules and rails

tightening torque 15Nm

customizability upon request

section property upon request





索尔光伏

PVSOLVER

solar mounting solutions

Technical Data

Cable Clips

> **description**

a part that clips cables underneath the solar modules

> **ref no.**

SP-S- cable clips series

> **technical specs**

material specifications

stainless steel 316 / 304

available types

we supply a wide range of cables clips

mainly for 4 or 6sqmm DC Cable

cable qty 2 or 4 nos

applications

clip location back of frame type solar module

customizability upon request

section property upon request





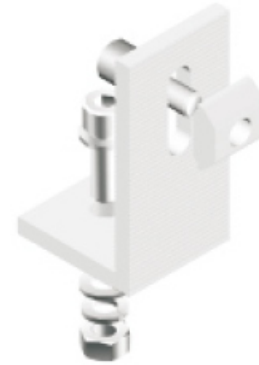
索尔光伏

PVSOLVER

solar mounting solutions

Technical Data

SP-A- L Feet Series



> **description**

a part that connect rails, clamps and others

> **ref no.**

SP-A- 075, 079, 083, etc

> **technical specs**

material specifications

aluminum alloy Al6005 / 6061 (body)

stainless steel 316 / 304 (bolting hardwares)

dimensions

L feet is one of the most common parts in solar mounting system, and it's available with a variety of dimensions: length and width are normally from 30 - 50mm, whereas height varies from 40mm to 250mm. normal thickness is 7mm or 8mm to requirements.

applications

tightening torque 15Nm

customizability upon request

section property upon request

bolting hardwares

m8 x 25-35mm bolt with flat and spring washer 2 nos

aluminum channel nut 1 or 2 nos

hexagon nut 1 or 2 nos

