

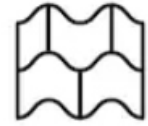


索尔光伏

# PVSOLVER

solar mounting solutions

## Questionnaire -for Clay Tile Roofs 1 of 2



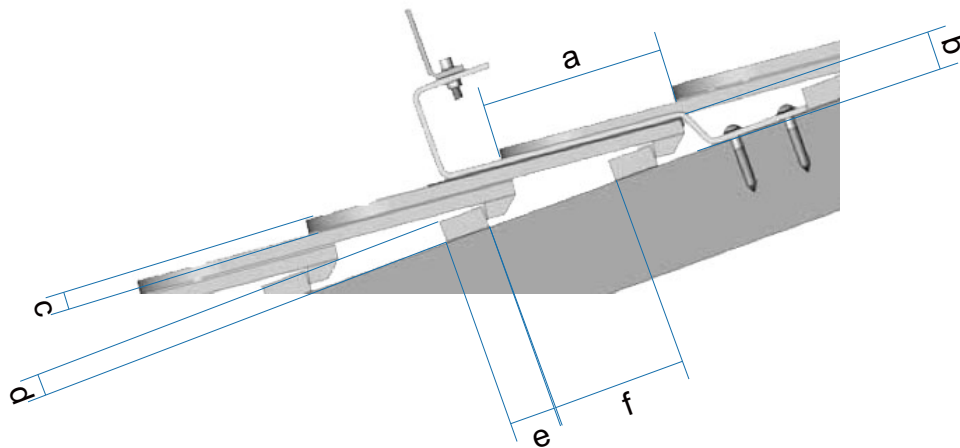
### > 1. general information

customer name	
contact name and email	
site coordinates	

### > 2. module information

module dimension (mm)	
module capacity	
module type	

### > 3. key dimensions



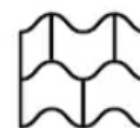
extruding length (a) mm	
spacing between tile and timber (b) mm	
tile thickness (c) mm	
purlin thickness (d) mm	
purlin width (e) mm	
purlin spacing (f) mm	
timber material	
purlin material	



索尔光伏

# PVSOLVER

solar mounting solutions



## Questionnaire -for Clay Tile Roofs 2 of 2

### > 4. tile roof type

#### Interlocking tiles

Grovebury  
418x332



Double Roman  
418x330



Cathedral Clay  
Pantile  
411x265



DuoPlain  
268x330



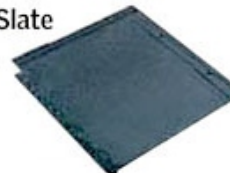
Renown  
418x330



49 Tile  
382x226



Cambrian 300x336  
Slate



Regent  
418x332



Stonewold II  
430x380



Mini  
Stonewold  
418x334



Norfolk 381x227  
Pantile



Landmark 418x330  
Double  
Pantile



**All tiles shown are Redland but similar shapes and sizes are available by different manufacturers** ( sizes are in mm )

#### Non-Interlocking tiles

Rosemary  
Clay  
265x165



Plain  
266x165



specify the roof tile type here	
roof tile dimension (L x W mm)	
Others to highlight	

### > 5. document checklist

- |                |                          |                    |                          |                      |
|----------------|--------------------------|--------------------|--------------------------|----------------------|
| roof plan      | <input type="checkbox"/> | structural drawing | <input type="checkbox"/> | available roof area: |
| side view      | <input type="checkbox"/> | module datasheet   | <input type="checkbox"/> |                      |
| tile datasheet | <input type="checkbox"/> | site picture       | <input type="checkbox"/> | _____                |