



索尔光伏

# PVSOLVER

solar mounting solutions

## Technical Data

### RC-001 - Universal Seam Clamp

> **description**

fixation clamp for a wide range of seam metal roofs

> **ref no.**

RC-001

> **technical specs**

**material specifications**

aluminum alloy AL6005/6061 (body)

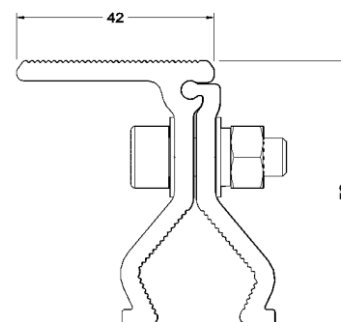
stainless steel 316 / 304 (bolting hardwares)

**dimensions**

length = 50mm

width = 42mm

height = 56mm



**applications**

clamping range metal seam roof

tightening torque 15Nm

customizability upon request

section property upon request

**bolting hardwares**

m8 x 30mm bolt with flat and spring washer 2 nos

channel nut NiL



索尔光伏

# PVSOLVER

solar mounting solutions

## Technical Data

### RC-002 - Universal Seam Clamp

> **description**

fixation clamp for a wide range of seam metal roofs

> **ref no.**

RC-002

> **technical specs**

**material specifications**

aluminum alloy AL6005/6061 (body)

stainless steel 316 / 304 (bolting hardwares)

**dimensions**

length = 50mm

width = 41mm

height = 51mm

**applications**

clamping range metal seam roof

tightening torque 15Nm

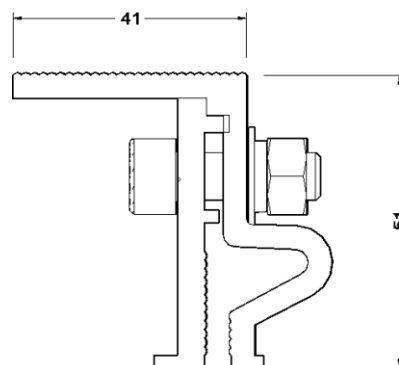
customizability upon request

section property upon request

**bolting hardwares**

m8 x 30mm bolt with flat and spring washer 2 nos

channel nut NiL





索尔光伏

# PVSOLVER

solar mounting solutions

## Technical Data

### RC-010 - Universal Seam Clamp

> **description**

fixation clamp for a wide range of seam metal roofs

> **ref no.**

RC-010

> **technical specs**

**material specifications**

aluminum alloy AL6005/6061 (body)

stainless steel 316 / 304 (bolting hardwares)

**dimensions**

length = 50mm

width = 60mm

height = 60mm

**applications**

clamping range kalzip roof

tightening torque 15Nm

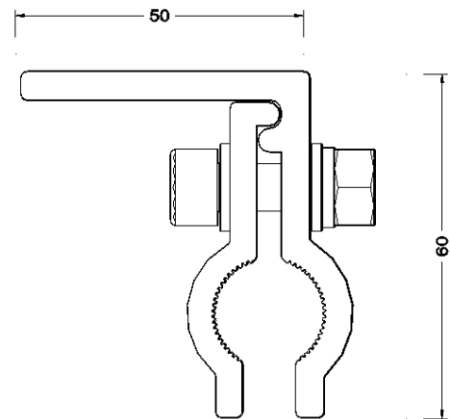
customizability upon request

section property upon request

**bolting hardwares**

m8 x 30mm bolt with flat and spring washer 2 nos

channel nut NiL





索尔光伏

# PVSOLVER

solar mounting solutions

## Technical Data

### RC-022 - Standing Seam Clamp

> **description**

fixation clamp for a wide range of seam metal roofs

> **ref no.**

RC-022

> **technical specs**

**material specifications**

aluminum alloy AL6005/6061 (body)

stainless steel 316 / 304 (bolting hardwares)

**dimensions**

length = 50mm

width = 42mm

height = 51mm

**applications**

clamping range     standing seam roof

tightening torque     15Nm

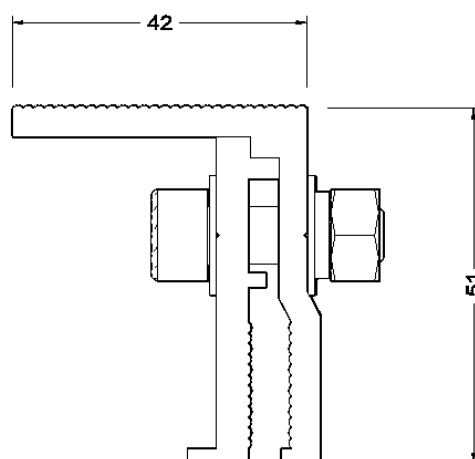
customizability     upon request

section property     upon request

**bolting hardwares**

m8 x 25mm bolt with flat and spring washer     2 nos

channel nut     NiL





索尔光伏

# PVSOLVER

solar mounting solutions

## Technical Data

### RC-024 - Kliplok 406 Seam Clamp

> **description**

fixation clamp for a wide range of seam metal roofs

> **ref no.**

RC-024

> **technical specs**

**material specifications**

aluminum alloy AL6005/6061 (body)

stainless steel 316 / 304 (bolting hardwares)

**dimensions**

length = 50mm

width = 30mm

height = 51mm

**applications**

clamping range Kliplok 406 roof

tightening torque 15Nm

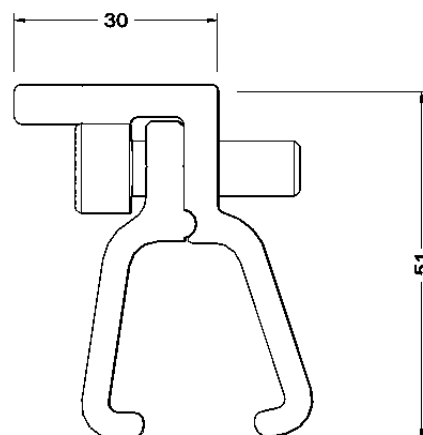
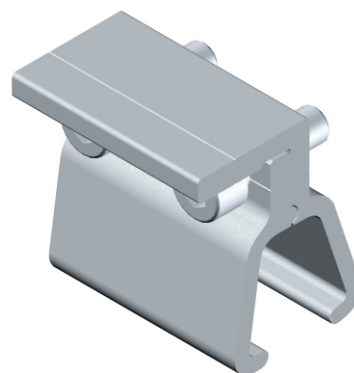
customizability upon request

section property upon request

**bolting hardwares**

m8 x 30mm bolt with flat and spring washer 2 nos

channel nut Nil





索尔光伏

# PVSOLVER

solar mounting solutions

## Technical Data

### RC-025 - Universal Seam Clamp

> **description**

fixation clamp for a wide range of seam metal roofs

> **ref no.**

RC-025

> **technical specs**

**material specifications**

aluminum alloy AL6005/6061 (body)

stainless steel 316 / 304 (bolting hardwares)

**dimensions**

length = 45mm

width = 60mm

height = 73mm

**applications**

clamping range a variety of metal roofs

tightening torque 15Nm

customizability upon request

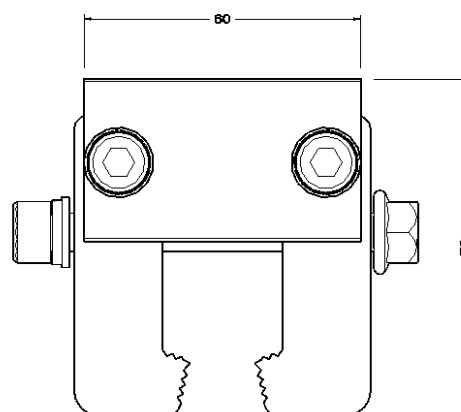
section property upon request

**bolting hardwares**

m8 x 65mm bolt with flat and spring washer 2 nos

m8 x 85mm bolt with flat and spring washer 1 no.

channel nut Nil





索尔光伏

# PVSOLVER

solar mounting solutions

## Technical Data

### RC-026 - Kliplok 406 Seam Clamp

> **description**

fixation clamp for a wide range of seam metal roofs

> **ref no.**

RC-026

> **technical specs**

**material specifications**

aluminum alloy AL6005/6061 (body)

stainless steel 316 / 304 (bolting hardwares)

**dimensions**

length = 50mm

width = 55mm

height = 73mm

**applications**

clamping range Kliplok 406 roof

tightening torque 15Nm

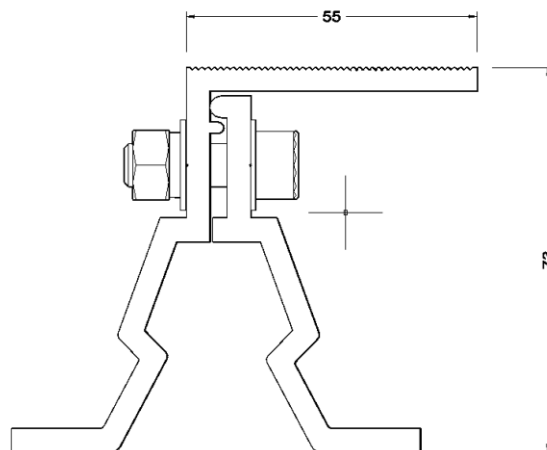
customizability upon request

section property upon request

**bolting hardwares**

m8 x 25mm bolt with flat and spring washer 2 nos

channel nut Nil





索尔光伏

# PVSOLVER

solar mounting solutions

## Technical Data

### RC-036 - Standing Seam Clamp

> **description**

fixation clamp for a wide range of seam metal roofs

> **ref no.**

RC-036

> **technical specs**

**material specifications**

aluminum alloy AL6005/6061 (body)

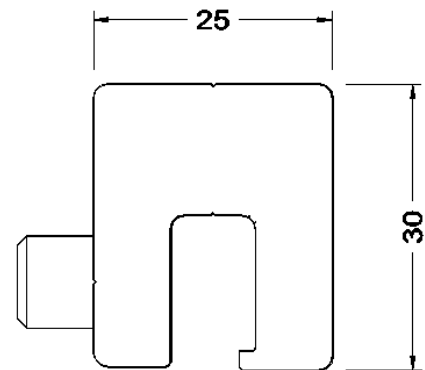
stainless steel 316 / 304 (bolting hardwares)

**dimensions**

length = 45mm

width = 25mm

height = 30mm



**applications**

clamping range Standing seam

tightening torque 15Nm

customizability upon request

section property upon request

**bolting hardwares**

m10 x 12mm bolt with flat and spring washer 2 nos

channel nut Nil





索尔光伏

# PVSOLVER

solar mounting solutions

## Technical Data

### RC-039 - Trapezoidal Roof Clamp

> **description**

fixation clamp for a wide range of metal roofs

> **ref no.**

RC-039

> **technical specs**

**material specifications**

aluminum alloy AL6005/6061 (body)

stainless steel 316 / 304 (bolting hardwares)

**dimensions**

length = 50mm

width = 67mm

height = 54mm

**applications**

clamping range    trapezoidal roofs

tightening torque    15Nm

customizability    upon request

section property    upon request

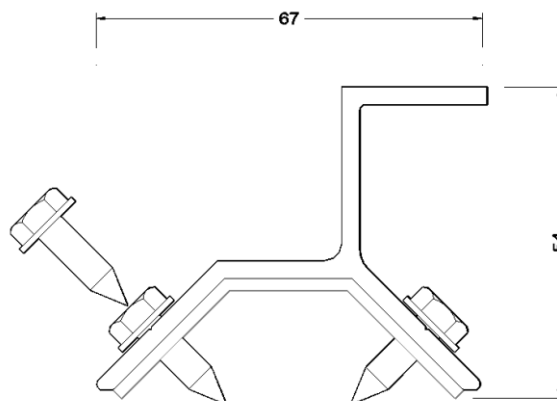
**bolting hardwares**

rivit bolts with washers

4 nos

channel nut

Nil





索尔光伏

# PVSOLVER

solar mounting solutions

## Technical Data

### RC-042 - Kliplok 406 Seam Clamp

> **description**

fixation clamp for a wide range of seam metal roofs

> **ref no.**

RC-042

> **technical specs**

**material specifications**

aluminum alloy AL6005/6061 (body)

stainless steel 316 / 304 (bolting hardwares)

**dimensions**

length = 50mm

width = 32mm

height = 70mm

**applications**

clamping range Kliplok 406 roof

tightening torque 15Nm

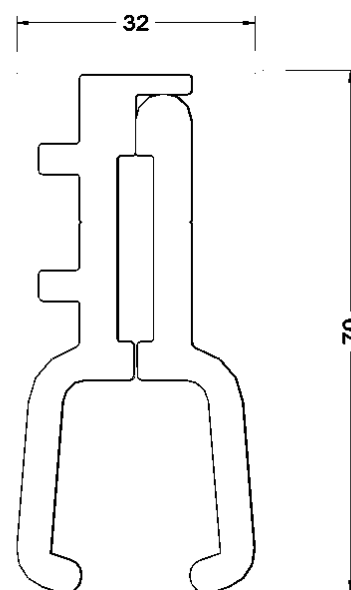
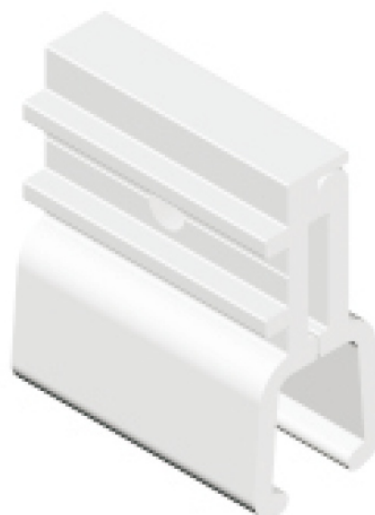
customizability upon request

section property upon request

**bolting hardwares**

m8 x 30mm bolt with flat and spring washer 2 nos

channel nut Nil





索尔光伏

# PVSOLVER

solar mounting solutions

## Technical Data

### RC-048 - Kliplok 700 Seam Clamp

> **description**

fixation clamp for a wide range of seam metal roofs

> **ref no.**

RC-048

> **technical specs**

**material specifications**

aluminum alloy AL6005/6061 (body)

stainless steel 316 / 304 (bolting hardwares)

**dimensions**

length = 50mm

width = 55mm

height = 58mm

**applications**

clamping range Kliplok 700 roof

tightening torque 15Nm

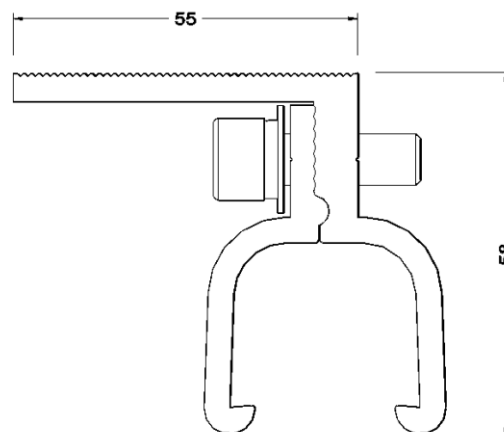
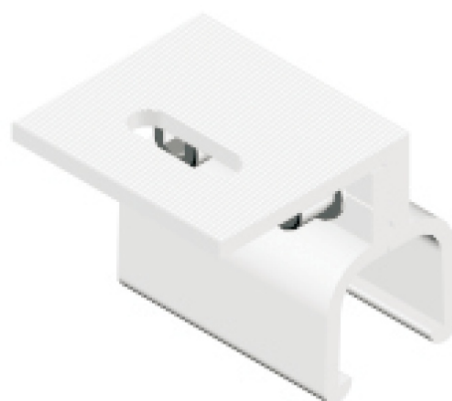
customizability upon request

section property upon request

**bolting hardwares**

m8 x 30mm bolt with flat and spring washer 2 nos

channel nut Nil





索尔光伏

# PVSOLVER

solar mounting solutions

## Technical Data

### RC-049 - Kliplok 700 Seam Clamp

> **description**

fixation clamp for a wide range of seam metal roofs

> **ref no.**

RC-049

> **technical specs**

**material specifications**

aluminum alloy AL6005/6061 (body)

stainless steel 316 / 304 (bolting hardwares)

**dimensions**

length = 50mm

width = 44mm

height = 70mm

**applications**

clamping range Kliplok 700 roof

tightening torque 15Nm

customizability upon request

section property upon request

**bolting hardwares**

m8 x 30mm bolt with flat and spring washer 2 nos

channel nut Nil

