



索尔光伏

PVSOLVER

solar mounting solutions

Technical Data

MC001 - Universal Mid Clamp

> **description**

fixation clamp for solar modules with frames

> **ref no.**

MC-001

> **technical specs**

material specifications

aluminum alloy AL6005/6061 (body)

stainless steel 316 / 304 (bolting hardwares)

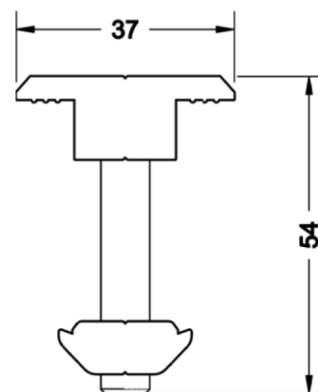
dimensions

length = 40mm

width = 37mm

height = 54mm (depends on module thickness)

the height will be different



applications

module type	frame type
tightening torque	15Nm
customizability	upon request
section property	upon request

bolting hardwares

m8 bolt with flat and spring washer

aluminum channel nut

application range

1 no. length according to module thickness

1 no. to secure rails

30, 33, 35, 38, 40, 45, 50mm



索尔光伏

PVSOLVER

solar mounting solutions

Technical Data

Mc008 - Universal Mid Clamp

> **description**

fixation clamp for solar modules with frames

> **ref no.**

MC-008

> **technical specs**

material specifications

aluminum alloy AL6005/6061 (body)

stainless steel 316 / 304 (bolting hardwares)

dimensions

length = 50mm

width = 36mm

height = 65mm (depends on module thickness)

the height will be different

applications

module type frame type

tightening torque 15Nm

customizability upon request

section property upon request

bolting hardwares

m8 bolt with flat and spring washer

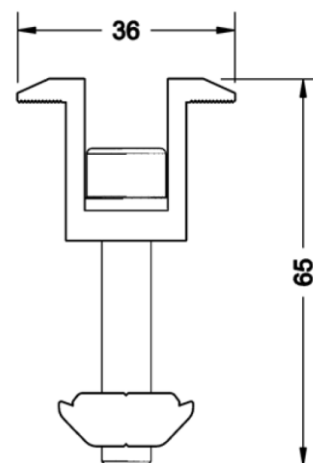
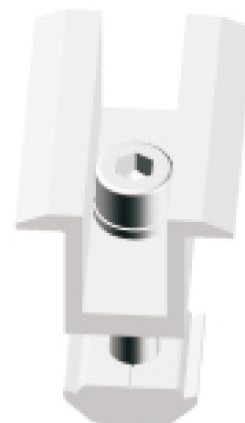
aluminum channel nut

application range

1 no. length according to module thickness

1 no. to secure rails

30, 33, 35, 38, 40, 45, 50mm





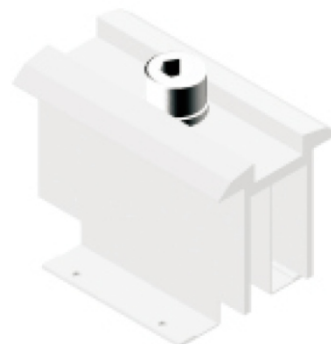
索尔光伏

PVSOLVER

solar mounting solutions

Technical Data

Mc042 - Universal Mid Clamp



> **description**

fixation clamp for solar modules with frames

> **ref no.**

MC-042

> **technical specs**

material specifications

aluminum alloy AL6005/6061 (body)

stainless steel 316 / 304 (bolting hardwares)

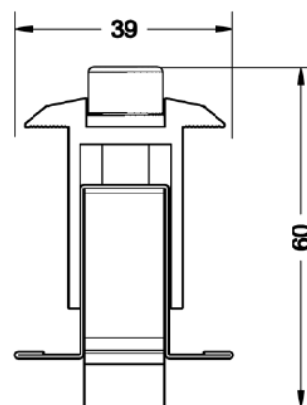
dimensions

length = 50mm

width = 39mm

height = 60mm (depends on module thickness)

the height will be different



applications

module type	frame type
tightening torque	15Nm
customizability	upon request
section property	upon request

bolting hardwares

m8 bolt with flat and spring washer

aluminum channel nut

application range

1 no. length according to module thickness

1 no. to secure rails

30, 33, 35, 38, 40, 45, 50mm



索尔光伏

PVSOLVER

solar mounting solutions

Technical Data

Mc002 - Universal End Clamp

> **description**

fixation clamp for solar modules with frames

> **ref no.**

MC-002

> **technical specs**

material specifications

aluminum alloy AL6005/6061 (body)

stainless steel 316 / 304 (bolting hardwares)

dimensions

length = 40mm

width = 32mm

height = 53mm (depends on module thickness)

the height will be different

applications

module type frame type

tightening torque 15Nm

customizability upon request

section property upon request

bolting hardwares

m8 bolt with flat and spring washer

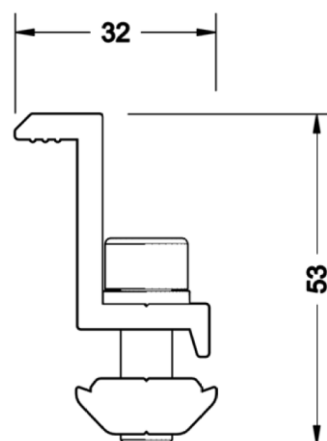
aluminum channel nut

application range

1 no. length to different applications

1 no. to secure rails

30, 33, 35, 38, 40, 45, 50mm





索尔光伏

PVSOLVER

solar mounting solutions

Technical Data

Mc040 - Universal End Clamp

> **description**

fixation clamp for solar modules with frames

> **ref no.**

MC-040 adjustable

> **technical specs**

material specifications

aluminum alloy AL6005/6061 (body)

stainless steel 316 / 304 (bolting hardwares)

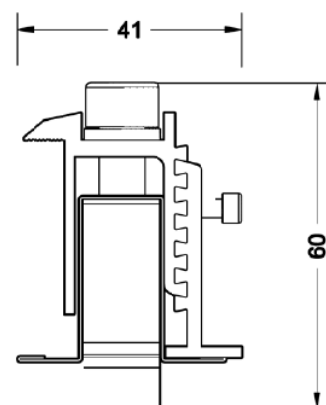
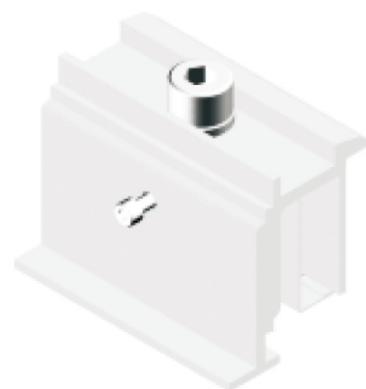
dimensions

length = 50mm

width = 41mm

height = 60mm (depends on module thickness)

the height will be different



applications

module type	frame type
tightening torque	15Nm
customizability	upon request
section property	upon request

bolting hardwares

m8 bolt with flat and spring washer

aluminum channel nut

application range

1 no. length is fixed

1 no. to secure rails

30, 33, 35, 38, 40, 45, 50mm

adjustable type via gears



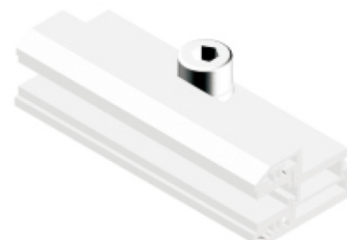
索尔光伏

PVSOLVER

solar mounting solutions

Technical Data

Mc005 - Universal End Clamp



> **description**

fixation clamp for frameless solar modules (glass)

> **ref no.**

MC-005

> **technical specs**

material specifications

aluminum alloy AL6005/6061 (body)

stainless steel 316 / 304 (bolting hardwares)

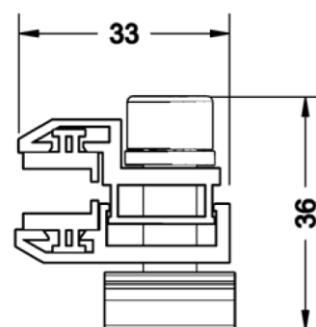
dimensions

length = 80mm

width = 33mm

height = 36mm (depends on module thickness)

the height will be slightly different



applications

module type frameless glass type

tightening torque 15Nm

customizability upon request

section property upon request

bolting hardwares

m8 bolt with flat and spring washer

aluminum channel nut

application range

1 no. length to different applications

1 no. to secure rails

6 or 8mm thickness glass modules



索尔光伏

PVSOLVER

solar mounting solutions

Technical Data

Mc006 - Universal End Clamp

> **description**

fixation clamp for frameless solar modules (glass)

> **ref no.**

MC-006

> **technical specs**

material specifications

aluminum alloy AL6005/6061 (body)

stainless steel 316 / 304 (bolting hardwares)

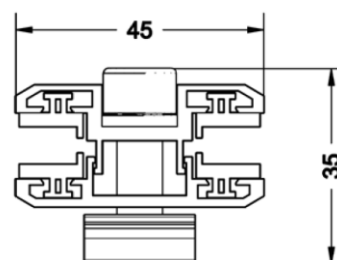
dimensions

length = 80mm

width = 45mm

height = 36mm (depends on module thickness)

the height will be slightly different



applications

module type frameless glass type

tightening torque 15Nm

customizability upon request

section property upon request

bolting hardwares

m8 bolt with flat and spring washer

aluminum channel nut

application range

1 no. length to different applications

1 no. to secure rails

6 or 8mm thickness glass modules